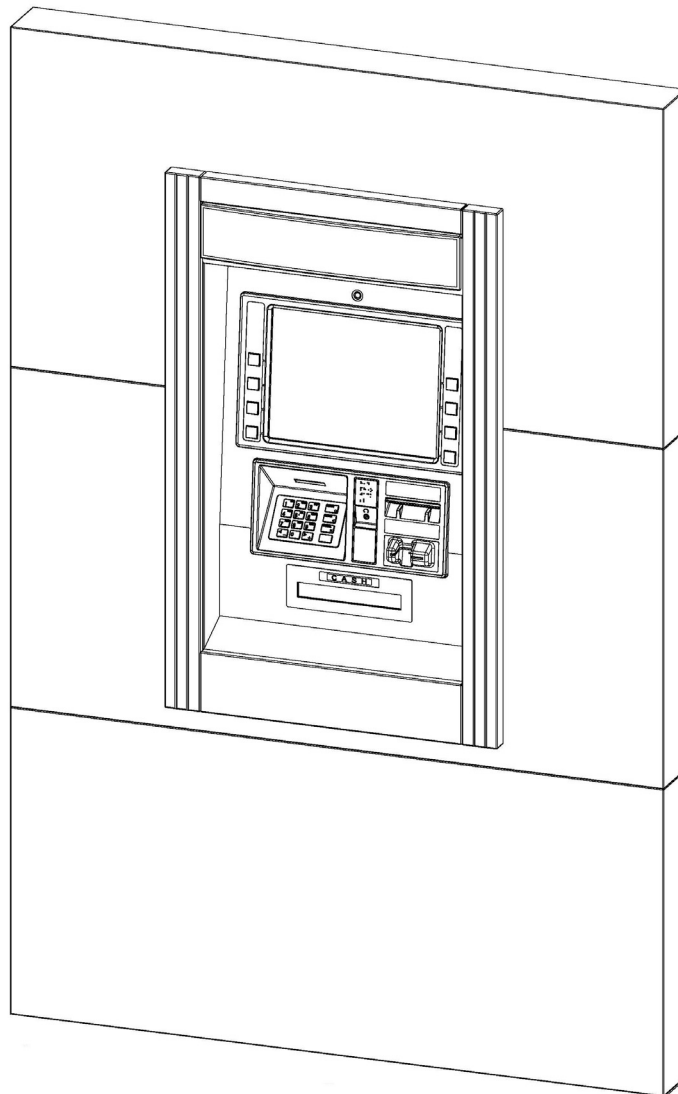


GT5000

Installation Specs



This document contains dimensions and specs for planning your GT5000 installation.

GT5000 Power Requirements:

This machine uses a standard 3-prong 115V AC power cord.

For warranty purposes, Genmega requires the GT5000 ATM should be connected to a dedicated power circuit (5amp minimum). This circuit must consist of line, neutral, and ground leads connected directly to the circuit breaker panel. This circuit should not be shared with any other equipment which may cause a drop in voltage across the circuit (ex. HVAC or Compressor)

Use of an uninterruptible power supply is recommended as low voltage to the ATM can cause data loss and corruption of software.

Input volage:

110/220 VAC \pm 10%, 50/60 Hz
(power supply has 115v – 220v switch. Default is set to 115v)

Power draw is 175w max (during print / dispense cycle)

Power draw at idle is 35w

Operating Environment:

Temperature

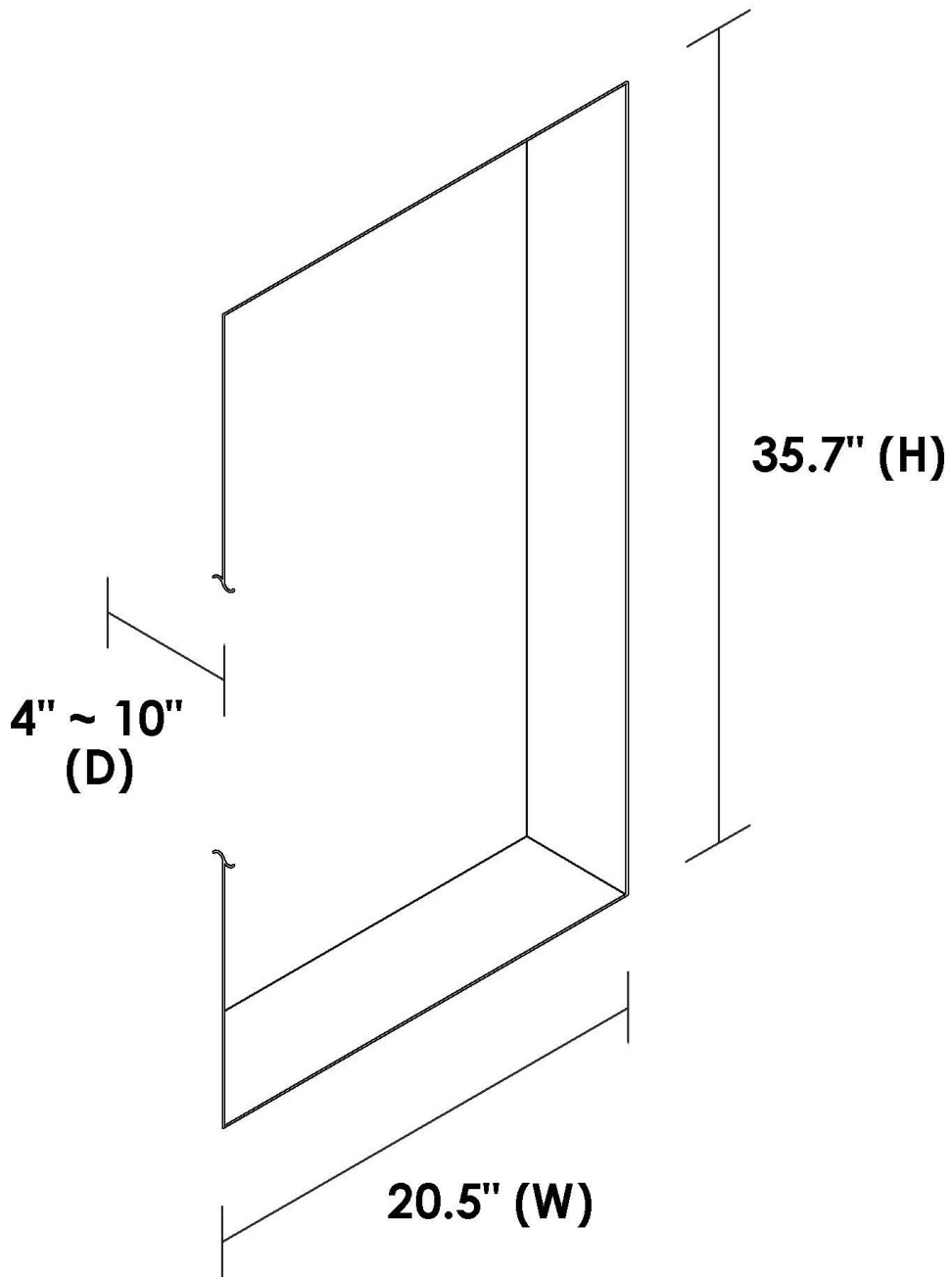
In storage : 32°F - 123°F (0°C ~ 49°C)
While operating : 40°F - 95°F (5°C ~ 35°C)

Humidity

In storage : 10% < RH < 90%, non-condensed
While operating : 15% < RH < 85%, non-condensed

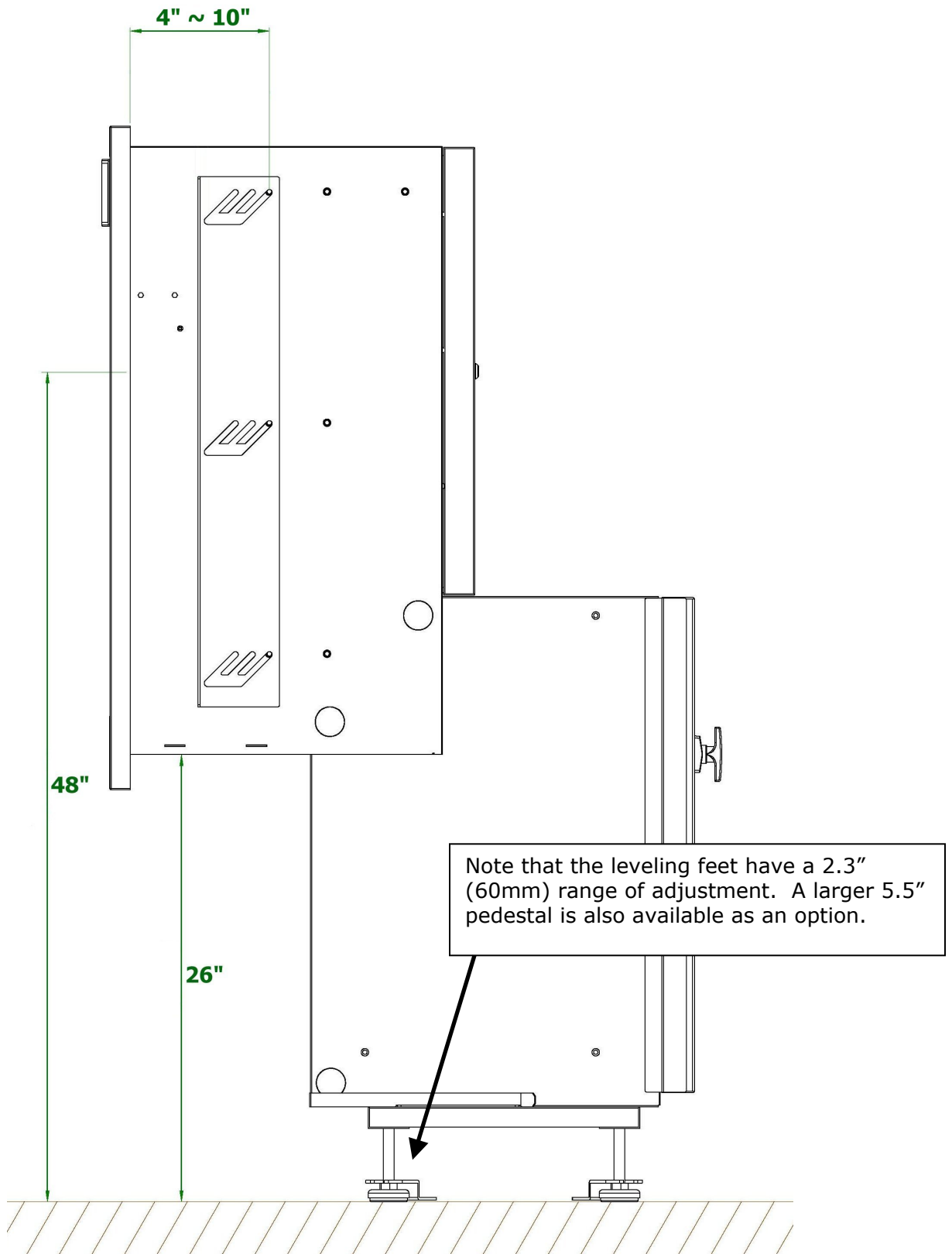
Construction Dimensions:

The wall hole should be sized 35.7" (height) and 20.5" (width) as shown below.

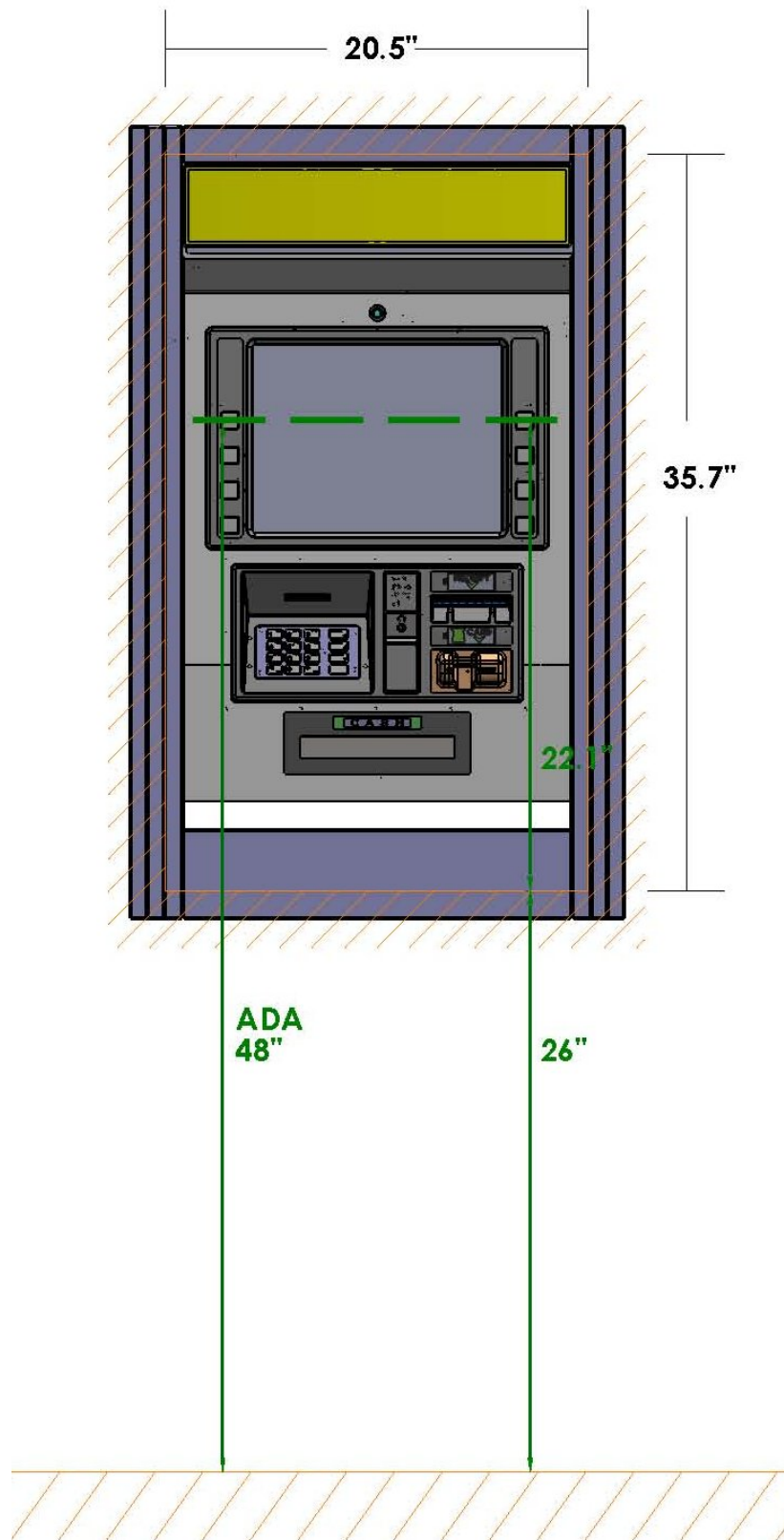


The maximum wall thickness for installation is 10". If a wall thickness of less than 4" will be used, then you will need to fabricate a spacer to fill the distance between the back of the wall and the side brackets.

The dimensions below show the machine installed so that the upper-most control is at the 48" height required for ADA.



The following shows how to set the hole dimensions so that the machine will have the correct height for ADA compliance.



The outside dimensions of the GT5000 are shown below, the 24" X 38.5" dimension represents the machine with the front bezel installed.

